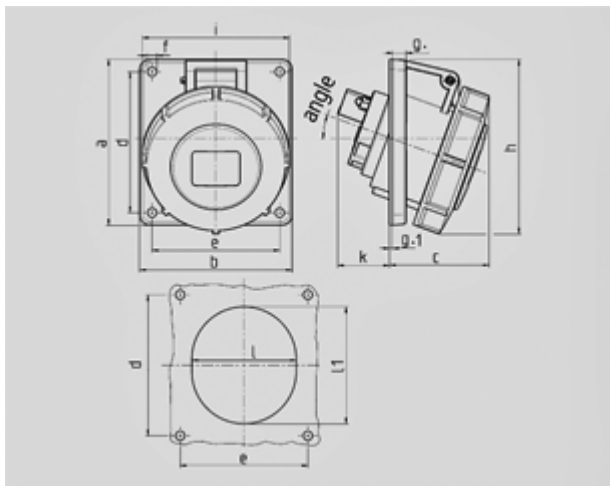


Panel mounted receptacle - Part no. 1485


- screw terminals
- 20° inclination
- 32A receptacles optional fitted with auxiliary contact

| | |
|-----------------------|-----------------|
| Protection type | IP 67 |
| Ampere | 16A |
| Poles | 5p |
| Voltage | 400V |
| Hertz | 50-60Hz |
| Earth position | 6h |
| Contact | standard |
| Connection technology | Screw terminals |

Std. Pack. 10 Qty.



| Drawing | Amp. | 16 | | | 32 | | |
|---|--------------|------|-----|-----|-----|-----|-----|
| | | 3 | 4 | 5 | 3 | 4 | 5 |
| 1 MB 251 | Poles | | | | | | |
| Dim. in mm | a | 73,5 | 100 | 100 | 100 | 100 | 100 |
| | b | 64 | 92 | 92 | 92 | 92 | 92 |
| | c | 52 | 60 | 62 | 64 | 64 | 66 |
| | d | 60 | 85 | 85 | 85 | 85 | 85 |
| | e | 52 | 77 | 77 | 77 | 77 | 77 |
| | f | 5,5 | 5,5 | 5,5 | 5,5 | 5,5 | 5,5 |
| | g | 8 | 8 | 8 | 8 | 8 | 8 |
| | g.1 | 2 | 2 | 2 | 2 | 2 | 2 |
| | h | 84 | 100 | 105 | 109 | 109 | 113 |
| | i | 78 | 85 | 96 | 103 | 103 | 110 |
| | k | 43 | 32 | 32 | 53 | 53 | 45 |
| | l | 52 | 55 | 65 | 67 | 67 | 72 |
| | ll | 60 | 63 | 72 | 82 | 82 | 85 |
| | α | 20° | 20° | 20° | 20° | 20° | 20° |
| Terminal for cond. cross section (mm²) min.-max. | | 1,5 | 1,5 | 1,5 | 2,5 | 2,5 | 2,5 |
| | | -4 | -4 | -4 | -10 | -10 | -10 |