

Domae

*The right solution for  
distribution boards*



a brand of  
**Schneider**  
Electric



**Merlin Gerin**



# Guaranteed quality and adapted solutions



## *Domae : SIRIM approved*

The quality marks prove product conformity to their reference standard.

They guarantee:

- safety of installers,
- suitability of products for their use.



With the Merlin Gerin Domae offer, Schneider Electric guarantees the very best in quality for this entire product range (26 ISO 9001/2000 certified production and development sites world-wide). What's more, because this range has been built to comply with European and international standards as well as local authority, Suruhanjaya Tenaga and SIRIM requirements you know you will be working in complete safety.



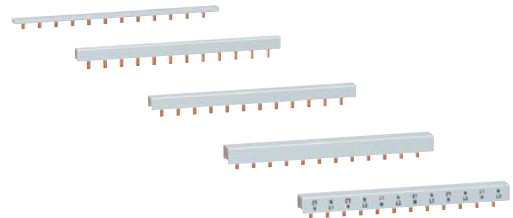
*For electrocution protection:  
Domae residual current circuit-breakers*



*For short-circuit and overload protection:  
Domae circuit-breakers*



*For easy installation:  
Domae enclosures*



*For quick connection:  
Domae comb busbars*



*For lightning protection:  
Surge arrester*



*For remote control:  
Impulse relay and contactor*



*For time control:  
Time relays IH, IHP*

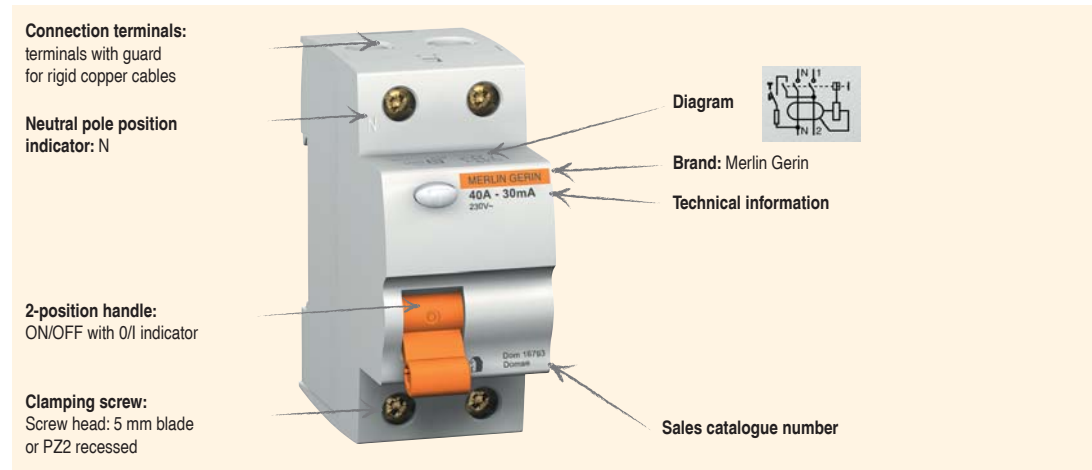
## *SIRIM Labels*

With increase in trade and a corresponding increase in demand for quality and safety by government authorities, purchasers and consumer, there is a need for a means of providing assurance that the product complies with IEC 60898. SIRIM labels are security labels, serially numbered and is only affixed on the certified regulated products. These labels have to be purchased from SIRIM QAS International and licences are required to record the use of these labels. SIRIM labels on Domae provide complete guarantee of operation, compatibility and safety according to national and international standards.

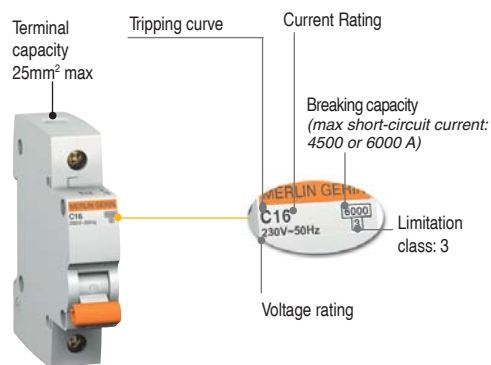
# Domae

## A comprehensive range...

*Domae products can be easily identified by their new design*

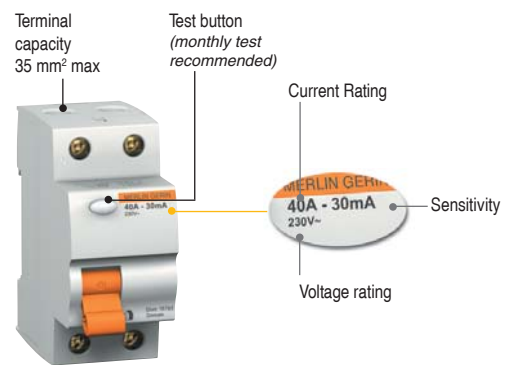


### Domae circuit-breaker



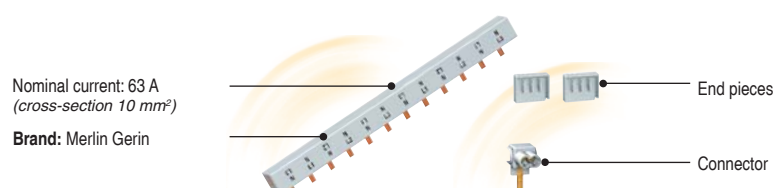
■ Large terminals, screws for flat-headed or recessed head screw screwdrivers

### Domae residual current circuit-breaker



■ A remarkable profile

### Domae comb busbar



# .... adapted solutions

## The *Domae* enclosures



## *Domae* surface-mounted enclosure

■ **Back:**

■ **Easy to position:**

- centred oblong opening (equipped with a class 2 enclosure insulating plug)
- vertical position adjustment oblong holes (equipped with a class 2 enclosure insulating plug)

■ **Convenient to install:**

- Cable insertion by drilling pre-punched out zones

■ **Quick to connect:**

- terminal blocks

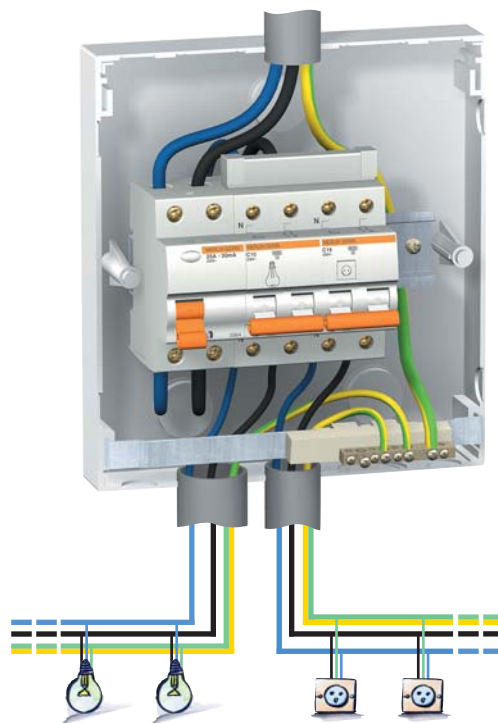
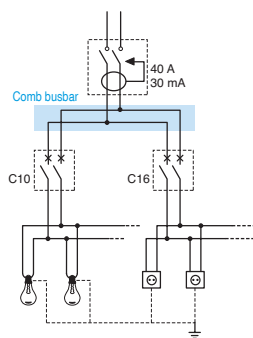
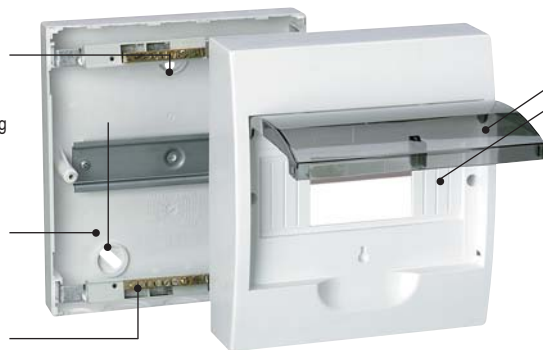
■ **Cover:**

■ **Design:**

- curved door
- blanking plate

■ **Professional:**

- circuit identification by self-adhesive strip (enclosure delivered with one strip per row),



# Domae

## Electrical hazards

### Choice of protection devices

**Short-circuit and overload protection**



**Electrocution protection**



**Fire protection**



**Lightning protection**



	Cables	Protection
"Power socket circuit": 1 protection device for 8 sockets maximum	2.5 mm <sup>2</sup>	1 C16 circuit-breaker
"Lighting circuit": 1 protection device for 10 lighting points maximum	1.5 mm <sup>2</sup>	1 C10 circuit-breaker
"Specific circuit": 1 protection device by application	4 mm <sup>2</sup>	1 C32 circuit-breaker
1 protection device for the "power socket circuit" and "specific circuit" assembly		1 30 mA residual current circuit-breaker
1 general protection device		1 300 mA or 100mA residual current circuit-breaker
1 general protection device		1 surge arrester

### Everyday comfort

**Multiple control for lighting circuit**



**Power control**



**Simple management of circuit opening and closing**



	Comande
1 relay by multiple control circuit	1 TL impulse relay
1 relay by specific circuit	1 CT contactor
1 timer by specific circuit	1 timer



# For more protection, safety and control



## *Residual current circuit breaker*

The earth-leakage protection device is the most reliable apparatus for isolating circuits in which damage in the insulation is occurred and electrical current is circulating through the earth. It equally protects people from electrocution while being accidentally exposed to direct and indirect contact with live conductors.

It functions on electro-mechanical principle by comparing the current <entering> through the phase conductors with this <going out> through the neutral conductor. If certain difference between these two currents is registered, meaning that the insulation level has dropped down and dangerous earth current starts to flow, the earth-leakage device trips.

The Residual Current Circuit Breaker (RCCB) is a solution to ensure all installations against earth leakage damages. The Domae RCCB range guarantee the circuit isolation when 'Opened' and the best earth leakage protection for all type of circuits. It fits the international standard requirements IEC61008 & IEC60364.

This range is dedicated for people and fire protection.

The RCCB can be used in all earth systems: TT, TNS, TNC-S.



## *Impulse relays TL*

Build an installation that allows you a comfortable control of lighting from various points. The impulse relays TL allow remote control of the circuits by means of impulse commands from several points. They are used for control of active loads (incandescent lamps, halogen lamps for ultra low voltage) and inductive loads (fluorescent lamps, gas discharge lamps)



## *Contactors CT*

For switching of powerful loads such as electric boilers, pumps etc. Merlin Gerin offer modular contactors for control of single and three phase feeders with current up to 100 A.



## *Time relays IH, IHP*

For switching of some circuits in your absence Merlin Gerin offers mechanical IH and electronic IHP time relays. By using them you may realize different programs repeating from every 60 minutes to yearly programs with many convenient options.

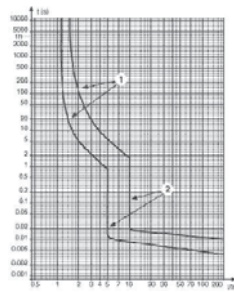


## *Surge Arresters Domae Quick PF*

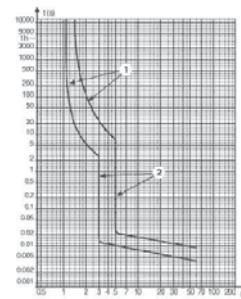
Overvoltages by lightning are extremely dangerous and may destroy sensitive devices such as TV sets, computers and other household appliances. Surge arresters provide effective protection against such phenomena. The most important aspect in lightning protection is to select the appropriate surge arrester and disconnecter. Merlin Gerin offers an innovative concept: Quick to choose, Quick to install and Very efficient. Thus offering only two references covering most residential needs. An extended offer will also be available upon request.

# Domae

## References & Curve



**Curve C**  
the magnetic trip units operate between 5 in and 10 in.



**Curve B**  
the magnetic trip units operate between 3 in and 5 in.

1 = Thermal tripping limit  
2 = Electromagnetic tripping limit



Available from  
June 2006

### Surge Arrester

Type	Poles	Rating	Un (V)	Cat. No
Domae Quick PF	1P+N	10kA	230	DOML102F230
Domae Quick PF	3P+N	10kA	230/400	DOML104F400



### TL Impulse Relay

Type	Description	Rating	Un	Cat. No
TL	On-off switch, 1P	16A	230V AC	DOMT1F16



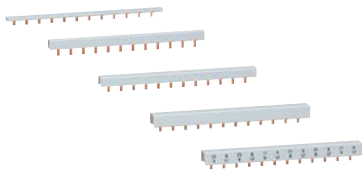
### CT Contactor

Poles	Type	Rating	Un	Cat. No
2P	2NO	20A	230V AC	DOMK2F20



### Enclosures

Installation	Nbr of rows	Nbr module	Cat. No
Surface Mounted	1	12	13369
Surface Mounted	1	18	13370
Surface Mounted	2	24	13922
Surface Mounted	3	36	13923



### 1m Long Comb Busbars

Type	Rating (A)	Description	Cat. No
1 Ph	63	1m bar 1 x 10mm <sup>2</sup>	10388
2 Ph	63	1m bar 2 x 10mm <sup>2</sup>	10390
3 Ph	63	1m bar 3 x 10mm <sup>2</sup>	10392

### Accessories

	Cat. No
1 set of four 35mm <sup>2</sup> connectors	10397
1 set of 10 bar end pieces (2 phase)	10398
1 set of 10 bar end pieces (3 phase)	10399
1 set of 10 tooth shields	10396



### Time Relay

Type	width (mm)	Spring Reserve	Interval Between 2 switching operation	Rating (A)	Un	Cat. No
IH, 1c, 24h	54	150h	30 min	16	230V AC	15365
IH, 2c, 24h	54	150h	30 min	16	230V AC	15337
IHP 1c	45	5 years	1 sec	16	230V AC	15851
IHP 2c	45	5 years	1 min	16	230V AC	15853



# References

## Domae Circuit Breakers



Circuit Breaker (MCB) C Curve			4.5kA
Nbr of pole	Width (mm)	Rating (A)	Cat. No
1P	18	6	DOM11340
1P	18	10	DOM11341
1P	18	16	DOM11342
1P	18	20	DOM11343
1P	18	25	DOM11344
1P	18	32	DOM11345
1P	18	40	DOM11446
1P	18	50	DOM11335
1P	18	63	DOM11336
2P	36	6	DOM11230
2P	36	10	DOM11231
2P	36	16	DOM11232
2P	36	20	DOM11233
2P	36	25	DOM11234
2P	36	32	DOM11235
2P	36	40	DOM11236
2P	36	50	DOM11237
2P	36	63	DOM11238
3P	54	6	DOM11347
3P	54	10	DOM11348
3P	54	16	DOM11349
3P	54	20	DOM11350
3P	54	25	DOM11351
3P	54	32	DOM11352
3P	54	40	DOM11353
3P	54	50	DOM11337
3P	54	63	DOM11338

Circuit Breaker (MCB)			B Curve 6kA	C Curve 6kA
Nbr of pole	Width (mm)	Rating (A)	Cat. No	Cat. No
1P	18	6	DOM11362	DOM11375
1P	18	10	DOM11363	DOM11376
1P	18	16	DOM11364	DOM11377
1P	18	20	DOM11365	DOM11378
1P	18	25	DOM11366	DOM11379
1P	18	32	DOM11367	DOM11380
1P	18	40	DOM11414	DOM11381
2P	36	6	DOM11417	DOM11384
2P	36	10	DOM11418	DOM11385
2P	36	16	DOM11419	DOM11386
2P	36	20	DOM11420	DOM11387
2P	36	25	DOM11421	DOM11388
2P	36	32	DOM11368	DOM11389
2P	36	40	DOM11369	DOM11390
3P	54	6	DOM11426	DOM11393
3P	54	10	DOM11427	DOM11394
3P	54	16	DOM11428	DOM11395
3P	54	20	DOM11429	DOM11396
3P	54	25	DOM11430	DOM11397
3P	54	32	DOM11430	DOM11398
3P	54	40	DOM11432	DOM11399

## Domae Residual Current Circuit Breakers

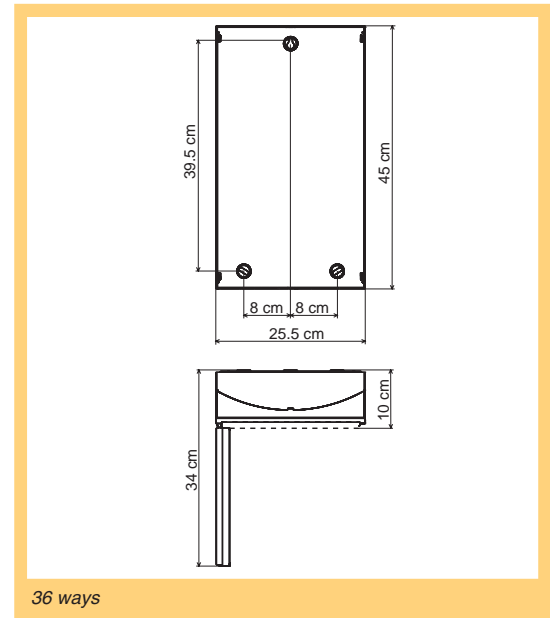
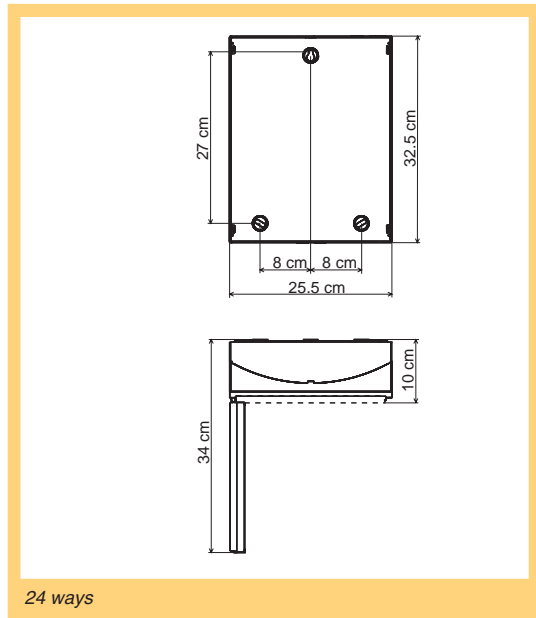
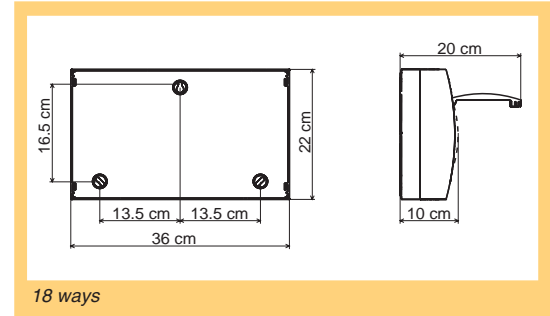
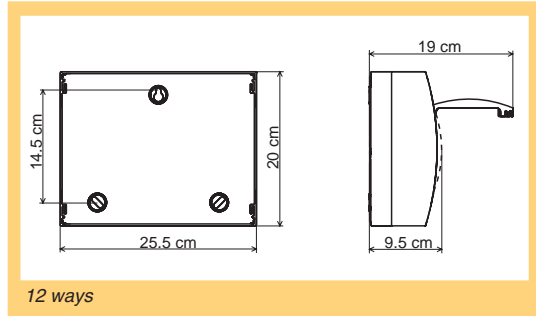


Residual Current Circuit Breaker				
Nbr of pole	Width (mm)	Rating (A)	Sensitivity (mA)	Cat. No
2P	36	40	30	DOM16793
2P	36	40	100	DOM16818
2P	36	40	300	DOM16795
2P	36	63	30	DOM16791
2P	36	63	100	DOM16819
2P	36	63	300	DOM16798
4P	72	40	30	DOM11029
4P	72	40	100	DOM16814
4P	72	40	300	DOM11030
4P	72	63	30	DOM16794
4P	72	63	100	DOM16815
4P	72	63	300	DOM16796

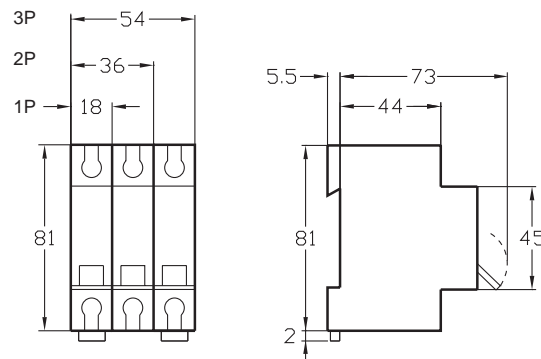
# Domae

## Dimensions

### Surface-mounted enclosures



### MCB 3 POLE



### RCCB 4 POLE

