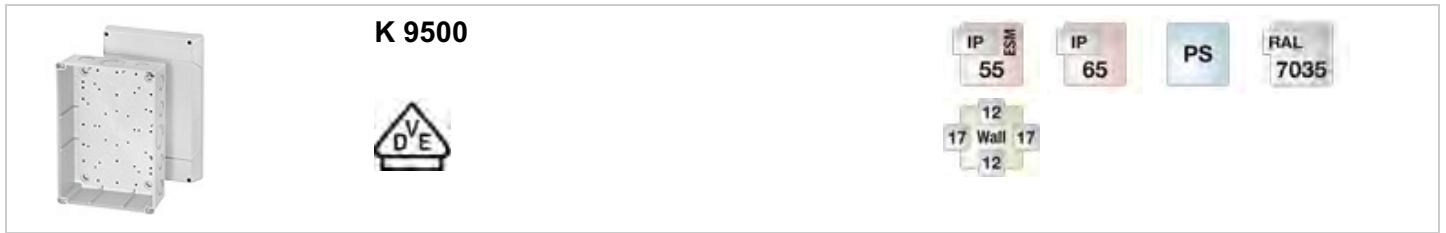


Cable junction boxes for normal environment and protected outdoor

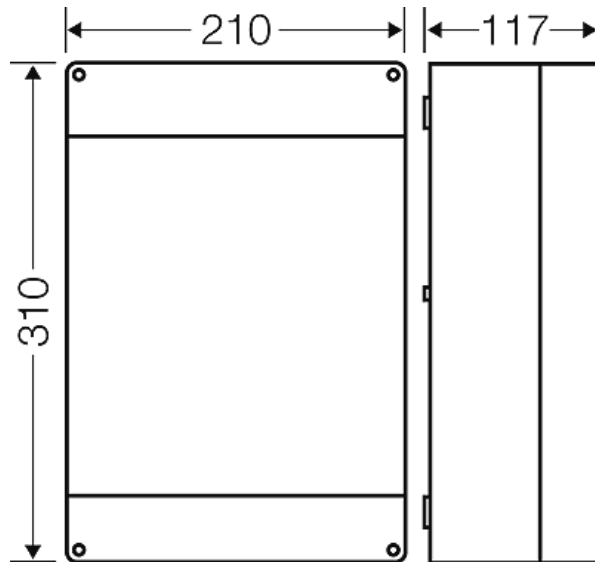


- without terminals
- cable entry via knockouts, order AKM/ASM separately (refer to index cable entry systems)
- for normal environment and protected outdoor
- colour: grey, RAL 7035

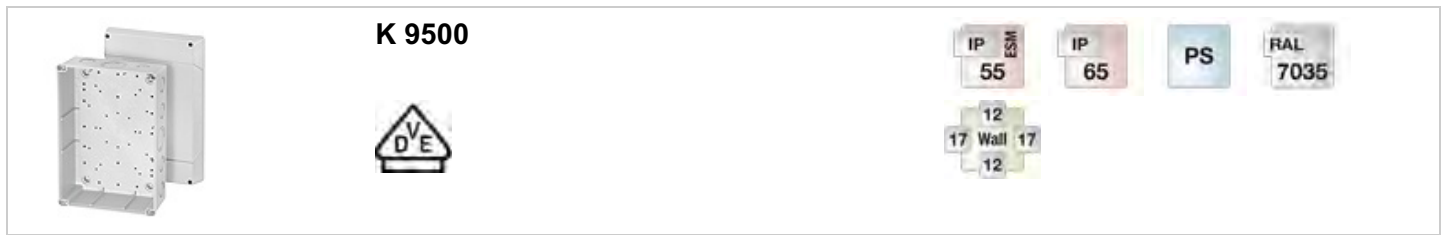
Degree of protection:	IP 55 (ESM)
Degree of protection:	(refer to index cable entry systems) IP 65
Material:	PS polystyrene thermoplastic
mounting width	280 mm
mounting height	180 mm
max. installation depth	88 mm
width	210 mm
height:	310 mm
depth	117 mm
Weight	1,313 kg

Drawings

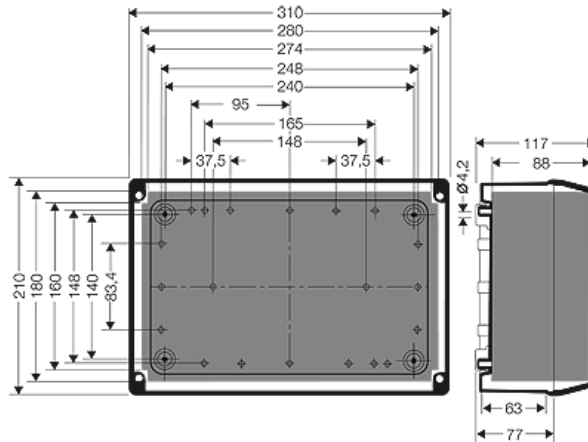
Dimension drawing



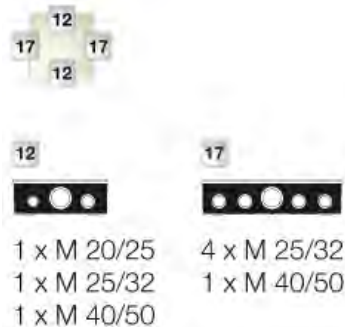
Cable junction boxes for normal environment and protected outdoor



Detail mass



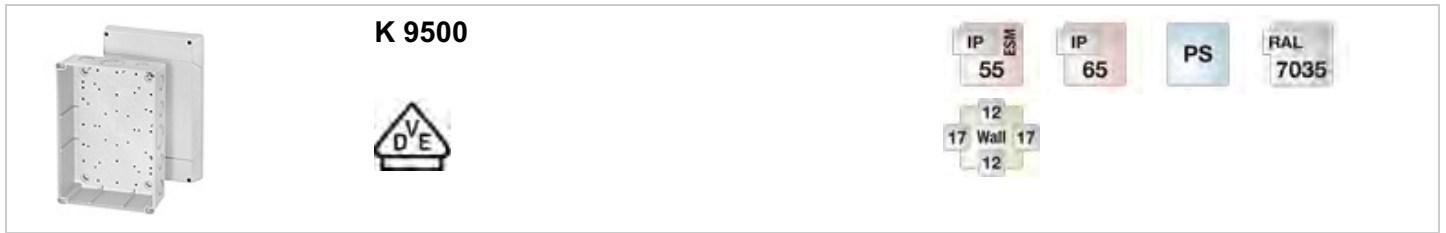
box walls



Operating and ambient conditions

Application area	Suitable for indoor installation and outdoor installation, protected against weather influences according to DIN VDE 0100 Part 737
Resistant to occasional cleaning procedures (direct jet)	Resistant to occasional cleaning procedures (direct jet) with high-pressure cleaner without additives, water pressure: max. 100 bar, water temperature: max. 80° C, distance => 0,15 m, in accordance with the requirements IP 69K, enclosure and cable glands at least IP 65
Ambient temperature	Maximum value + 40° C Minimum value - 25° C
Fire protection in the event of internal faults	Demands placed on electrical devices from standards and laws Minimum requirements - Glow wire test in accordance with IEC 60 695-2-11: - 650°C for boxes and cable glands - 850°C for parts of insulating material necessary to retain current carrying parts in position
Fire protection in the event of specific risks or hazards	Demands placed on electrical devices from standards and laws Minimum requirements - Glow wire test in accordance with IEC 60 695-2-11: - 650°C for boxes and cable glands - 850°C for parts of insulating material necessary to retain current carrying parts in position
Burning behaviour	Glow wire test IEC 60 695-2-11: 750° C UL Subject 94: V-2

Cable junction boxes for normal environment and protected outdoor



flame resistant
self-extinguishing

Degree of protection against mechanical load	IK07 (2 Joule)
--	----------------

Toxic behaviour	halogen-free silicone-free "halogen-free" in accordance with the examination of the cables and insulated wires - corrosiveness of fumes - as per IEC 754-2
-----------------	--

Note:	To material properties see technical data.
-------	--