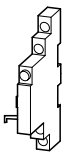
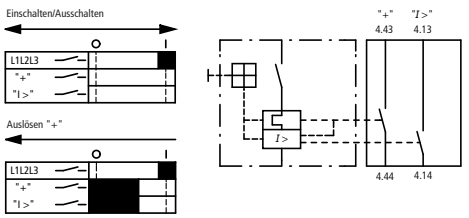


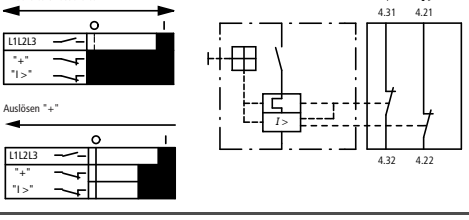


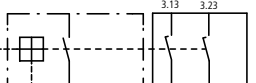

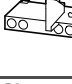


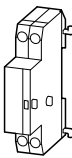
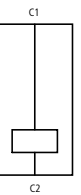




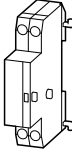
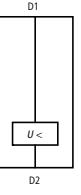


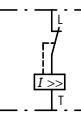


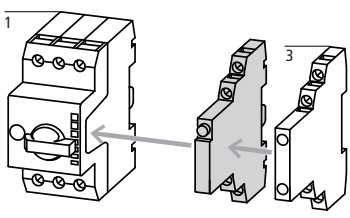
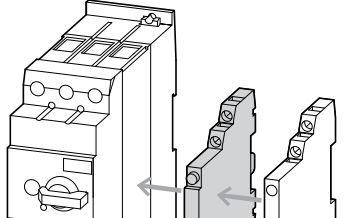
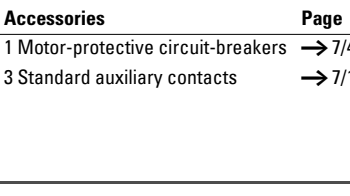
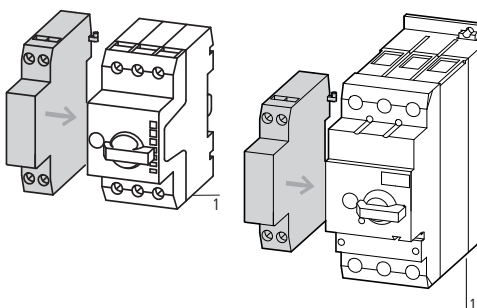
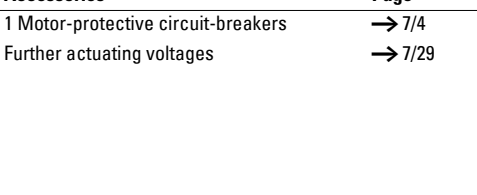


Contact configuration	Contact sequence	Circuit diagrams	For use with	Part no. Article no.	Price	Std. pack
N/O = normally open contact NC = normally closed contact					See price list	
<b>Trip indicators</b>						
For motor-protective circuit-breakers						
	2 x 1 N/O		PKZM0 PKZM4 PKZM0-T PKM0 PKZM01 PKE <sup>1)</sup>	<b>AGM2-10-PKZ0</b> 072898		2 off 
	2 x 1 NC		PKZM0 PKZM4 PKZM0-T PKM0 PKZM01 PKE <sup>1)</sup>	<b>AGM2-01-PKZ0</b> 072899		2 off 
<b>Early-make auxiliary contacts</b>						
For motor-protective circuit-breakers						
	2 N/O		PKZM0 PKZM0-T PKM0 PKZM4	<b>VHI20-PKZ0</b> 203595		2 off 
	2 N/O		PKZM01	<b>VHI20-PKZ01</b> 278495		5 off 
<b>Shunt release (for power circuit-breakers)</b>						
	-		PKZM0 PKZM4 PKZM0-T PKM0 PKZM01 PKE <sup>2)</sup>	<b>A-PKZ0(230V50HZ)</b> 073187		2 off 
	-		PKZM0 PKZM4 PKZM0-T PKM0 PKZM01 PKE <sup>2)</sup>	<b>A-PKZ0(24VDC)</b> 073200		2 off 
<b>Undervoltage release</b>						
	-		PKZM0 PKZM4 PKZM0-T PKM0 PKZM01 PKE <sup>2)</sup>	<b>U-PKZ0(230V50HZ)</b> 073135		2 off 
<b>Current limiters</b>						
For increasing switching capacity of motor-protective circuit-breakers without auto-protection						
	-		PKZM0 PKZM4 PKE	<b>CL-PKZ0</b> 082881		1 off 

**Notes**  
<sup>1)</sup> Only AGM2-...-PKZ0 manufactured on or after 06/2009 can be fitted.  
<sup>2)</sup> Only A(U)-PKZ0... with serial number 02 or higher can be fitted.

Notes	Notes	Information relevant for export to North America
		
Can be fitted to the right side of motor-protective circuit-breakers		Product Standards UL File No. E36332 UL CCN NLRV CSA File No. 12528 CSA Class No. 3211-05 NA Certification UL Listed, CSA certified
Can be combined with: Standard auxiliary contacts NHI11-PKZ0 NHI12-PKZ0 NHI21-PKZ0 NHI-E-...		
Separate indication of: a) General trip indication (overload) b) Short-circuit trip		
Local short-circuit indication by red indicator, manually resettable.		
Can be fitted to front of motor-protective circuit-breaker, 45 mm width of the motor-protective circuit-breaker remains unchanged. For early energization of undervoltage release, e.g. in emergency switching off circuits to EN 60204. VHI20-PKZ0 cannot be used in combination with PKZ0-X(R).		<b>Accessories</b> 1 Motor-protective circuit-breakers → 7/4 3 Standard auxiliary contacts → 7/10
Can be fitted to the left side of motor-protective circuit-breakers. Cannot be combined with: undervoltage release U-PKZ0 DC: Intermittent operation 5 s		<b>Accessories</b> 1 Motor-protective circuit-breakers → 7/4 Further actuating voltages → 7/29
Can be fitted to the left side of motor-protective circuit-breakers. Cannot be combined with: A-PKZ0 shunt release When combined with circuit-breaker, can be used as emergency switching off device to IEC/EN 60204.		
Max. rated operating voltage $U_e = 690$ V, rated uninterrupted current $I_u = 63$ A Can be used for individual and group protection. For group protection and in combination with PKZM4, order additional BK25/3 incoming terminal if required. Mounting next to or behind the motor-protective circuit-breaker. PKZM4: 16 - 63 A: 100 kA/400 V PKZM4: 16 - 63 A: 10 kA/690 V		